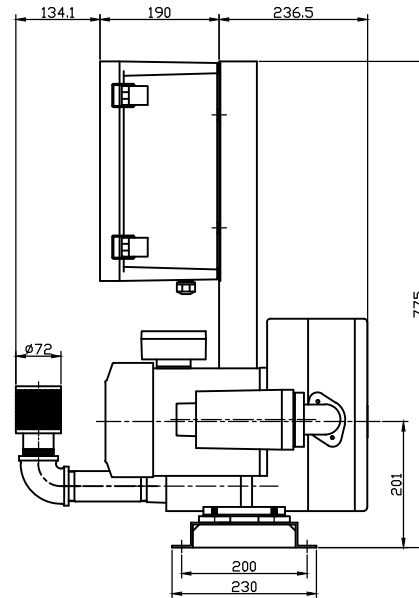
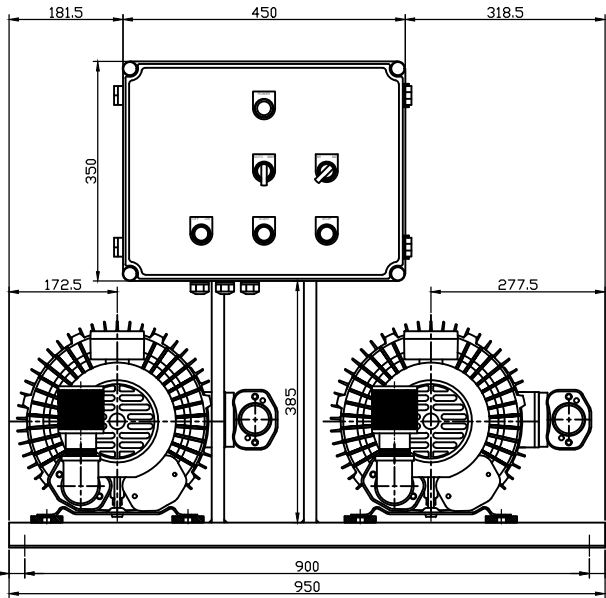
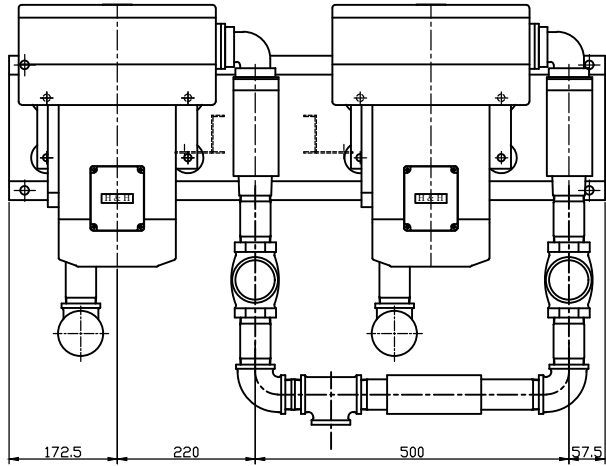


NOTE 1) 모터 21

No.	PART NAME	MATERIAL	Qt'y	SIZE	REMARK
01					



00						Date	Draw	Check	Appr.
No.	Revision				Date	Draw	Check	Appr.	
형식 TYPE	HRB-402S		도명 TITLE		외형도 (OUTWARD DWG.)				
DRAWN	DESIGN	CHECKED	APPROVED	3RD ANGLE	SCALE:1/1	UNIT:mm			
B.S.Kim				SIZE	3φ 2P 1.75kW				
17.02.01				도번 DWG. No	BOD00436			△	
黃海電機 HWANG HAE ELECTRIC									